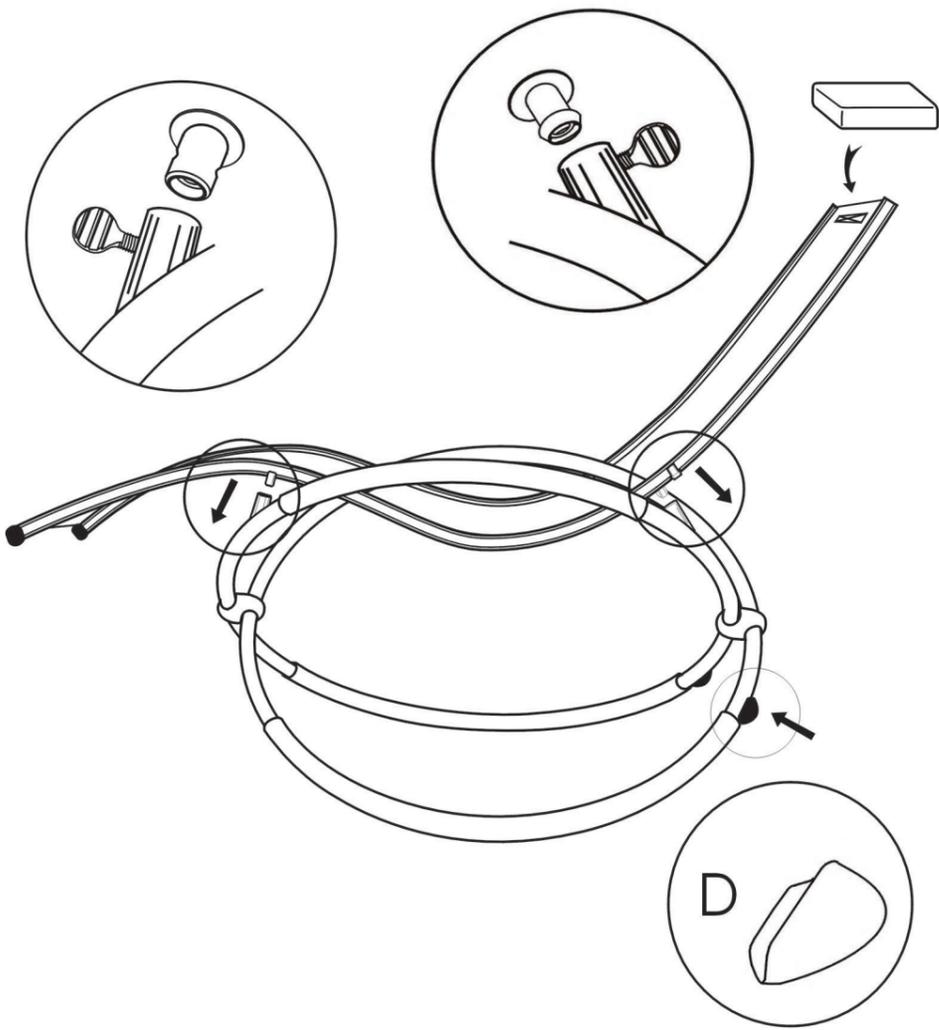
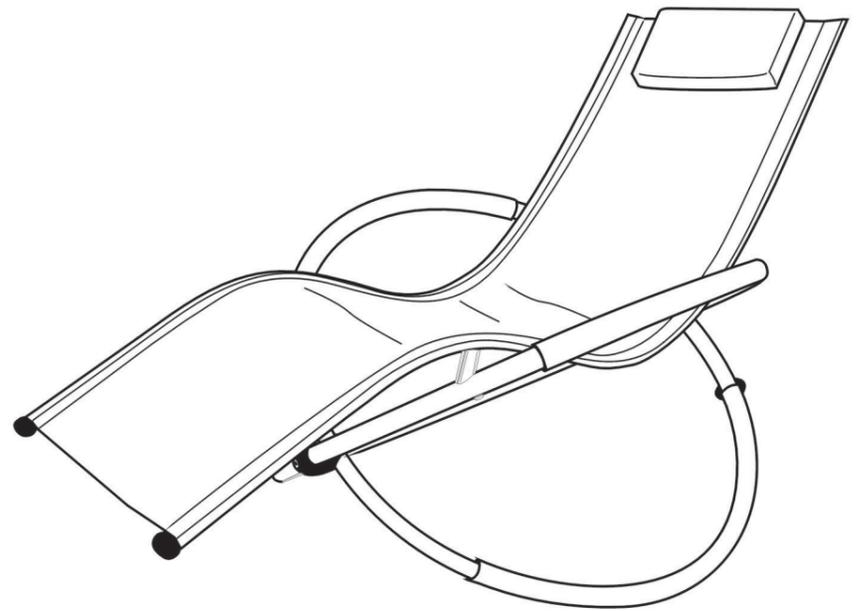


3

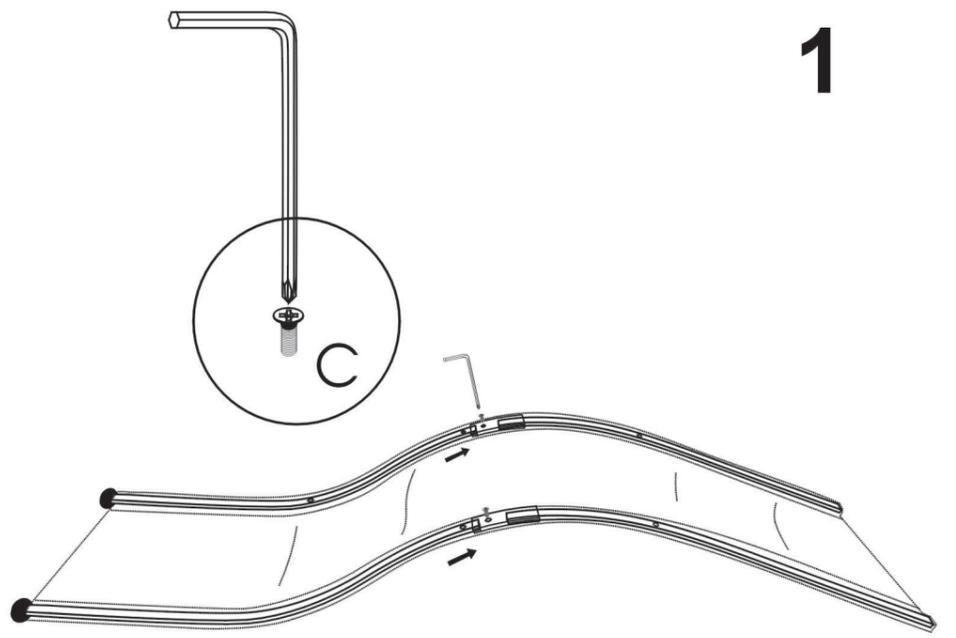
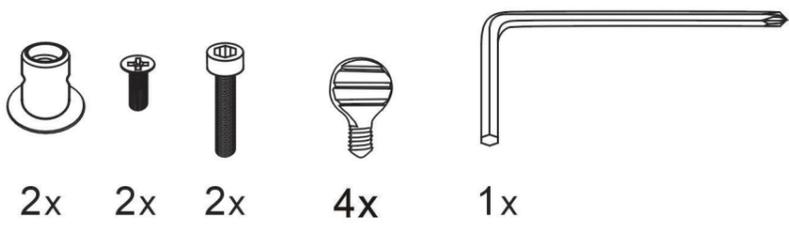


The open part of the stopper should be adjust to against the fabric.

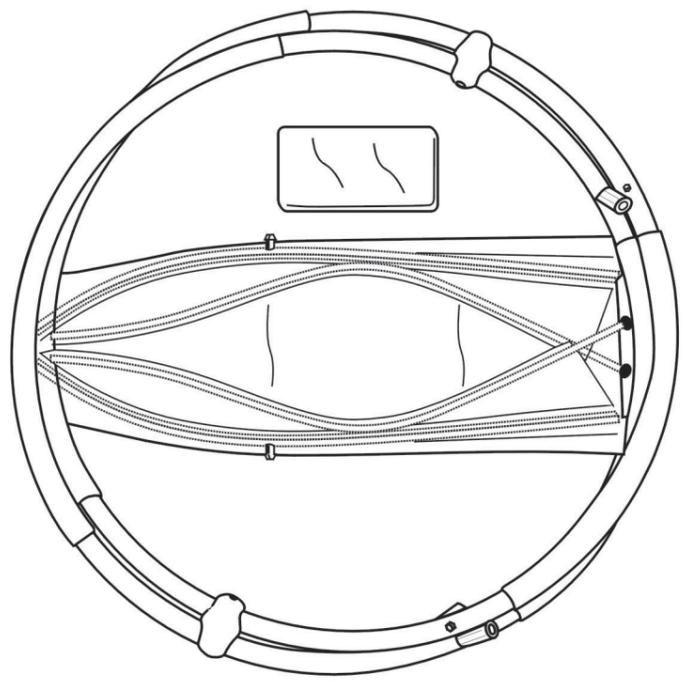
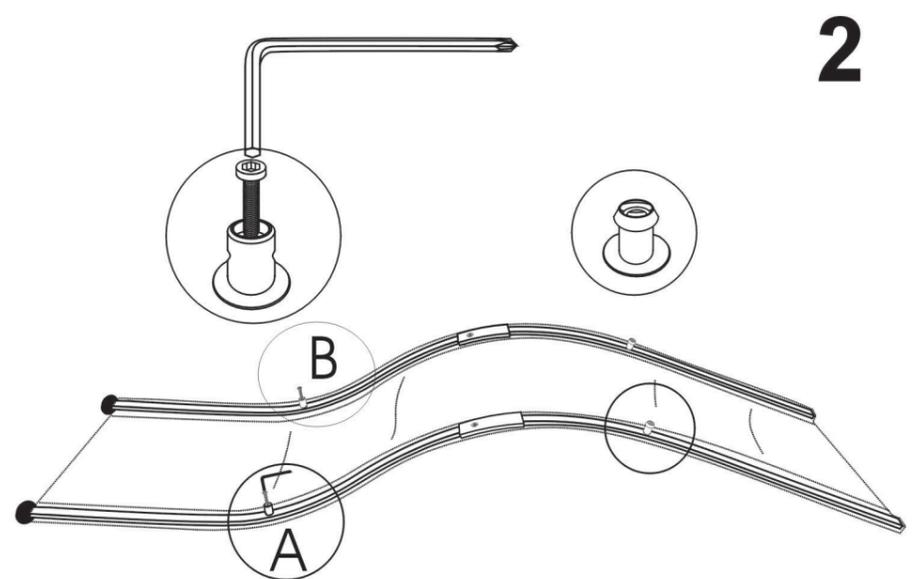


Rock Chair

Assembly Instruction



Open the bed, insert the inner tube and close screw at "1"



Open the box and check all the parts in the pictures